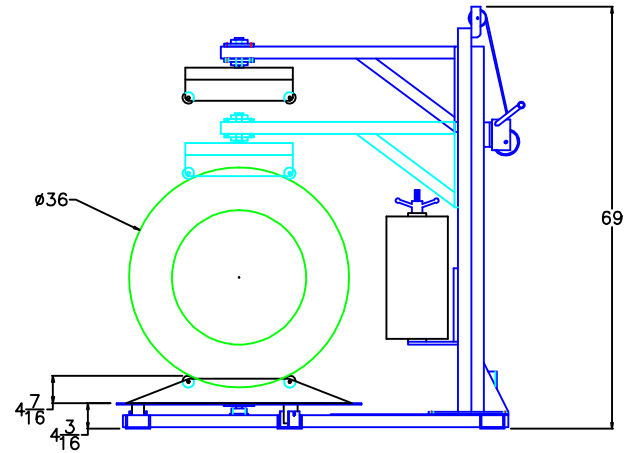
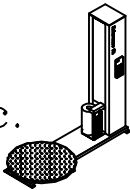


24" DIAMETER x 9" WIDE TIRE



36" DIAMETER x 14" WIDE TIRE

**Kalamazoo**  
**PS**ystems, inc.  
 Grand Rapids, Michigan



Name: 500 MANUAL SPIRAL w/ TOP PLATEN and TIRE FIXTURE

Date: 01/18/08

Drawn By: *Ty Ferris*

Dwg.No.: Q500MS-TP-TIRE

Rev. Date: 06/17/05

Rev. By.

Tolerance: 0.040"

THIS DRAWING IN DESIGN AND DETAIL IS OUR PROPERTY. ALL DESIGN AND INVENTION RIGHTS ARE RESERVED.